



FDS 1000

DRIP IRRIGATION SYSTEM PER 1000 M²

APPLICATIONS

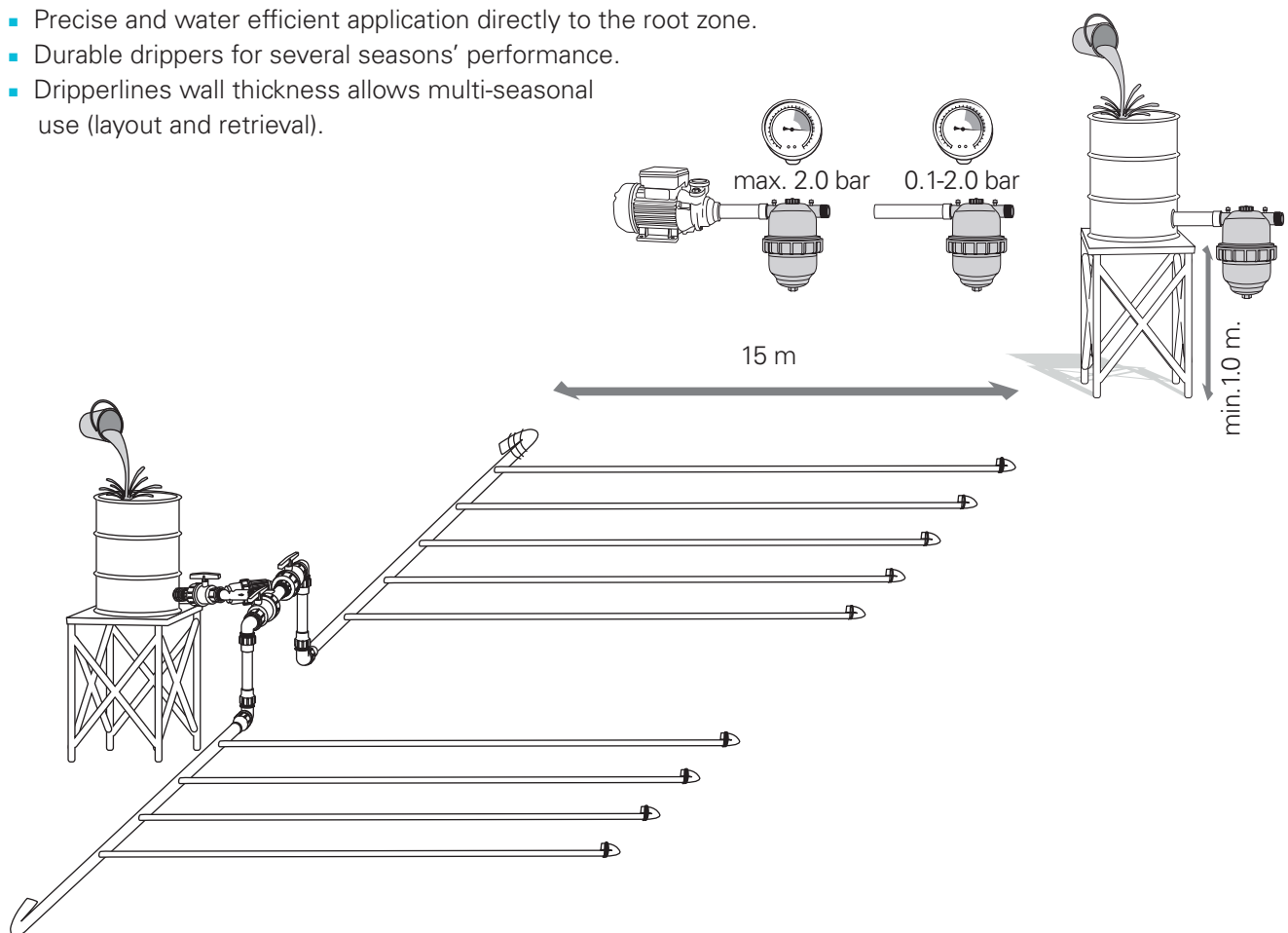
Irrigation of all vegetable types or row crops grown on 1000 m².

SPECIFICATIONS

- Designed for irrigation of 1000 m² with 1.0 m dripperlines spacing.
- Working pressure range: 0.1 to 2.0 bar.
- System head control must be installed in the highest point of the irrigated field.
- Dripper flows, irrigation rates and scheduling at different working pressures will follow in the table below.
- The system includes all needed components for field installation and operation.
- It can be fully or in two shifts operated depending on the water amounts per hour available to the user.
- The system can be operated by water pressure using a pump or by atmospheric pressure (over 0.1 bar).

FEATURES AND BENEFITS

- All products/ parts needed for installation and operation are included.
- Easy to use, assemble and operate.
- Precise and water efficient application directly to the root zone.
- Durable drippers for several seasons' performance.
- Dripperlines wall thickness allows multi-seasonal use (layout and retrieval).



LOGISTIC DATA

- Catalog number: 42000-001250
- Box packaging size: 0.59 x 0.56 x 1.12 meter
- Average box weight: 32.0 Kg
- Pallet packaging size: 1.14 x 1.14 x 1.20 meter
- Average pallet weight: 141 Kg
- Number of irrigation kits per pallet: 4 kits
- Number of irrigation kits per 40 ft container: 160 kits

SYSTEM COMPONENTS

FDS 1000	42000-001250
COMPONENTS	UNITS
PE IRRIGATION PIPE 25/4 25 M FDS	3
MICRODRIP 8 2.00 L/H 0.30 M 250 M	4
TANK OUTLET 1" BUTZI PP	1
PLASTIC FEMALE COUPLER 1"	1
SCREEN FILTER 1"M* 1"M 120 MESH	1
TEE SWIVEL 1"M*1"F*1"M	1
PLASTIC BALL VALVE 1"F*1"F	3
NUT LOCK ELBOW 25 MM*1" MALE	2
NUT LOCK ELBOW 25 MM*25 MM	2
25 MM END LINE	2
NARROWTEFLON	1
MINI PUNCH 3.5	1
COUPLING 25 MM*25 MM	2
BARB-F CON. BROWN	80
BARB-M CON. BROWN F/MICROTUBE 8MM	80
BARB COUPLING BROWN CONN. 8 MM	20
MIC MALE PLUG	20

FDS CONNECTORS BAG (SPARE PARTS)	42000-003500
COMPONENTS	UNITS
BARB-F CON. BROWN	20
BARB-M CON. BROWN F/MICROTUBE 8 MM	20
BARB COUPLING BROWN CONN. 8 MM	5
MALE PLUG	5

TECHNICAL DATA

Dripper hourly flow rate respective to working pressures and precipitation rates according to dripper and dripperline spacing:

PRESSURE (BAR)	0.1	0.2	0.4	0.6	0.8	1.0	1.2	1.4	1.6	1.8	2.0
FLOW RATE (L/H)	0.65	0.91	1.28	1.56	1.79	2.00	2.19	2.36	2.52	2.67	2.81
PRECIPITATION RATE (MM/H) WITH DRIPPERLINES EACH 1.0 M	2.16	3.03	4.25	5.19	5.97	6.66	7.29	7.86	8.39	8.89	9.36

To calculate irrigation time per day divide to total water amount required by the system's precipitation rate, for example: crop requirement of 5 mm per day will be divided by precipitation rate (based on the working pressure) to obtain the total number of hours required for irrigation.

Hourly water amount respective to working pressures when the whole system is operated simultaneously or when the system is operated in two halves:

PRESSURE (BAR)	0.1	0.2	0.4	0.6	0.8	1.0	1.2	1.4	1.6	1.8	2.0
TOTAL FLOW RATE (M ³ /H) WHEN ALL 1000 M DRIPPERLINE WILL BE USED	2.16	3.03	4.25	5.19	5.97	6.66	7.29	7.86	8.39	8.89	9.36
FLOW RATE 1/2 AREA (M ³ /H) WHEN 500 M DRIPPERLINE WILL BE USED	1.08	1.51	2.13	2.59	2.99	3.33	3.64	3.93	4.20	4.44	4.68